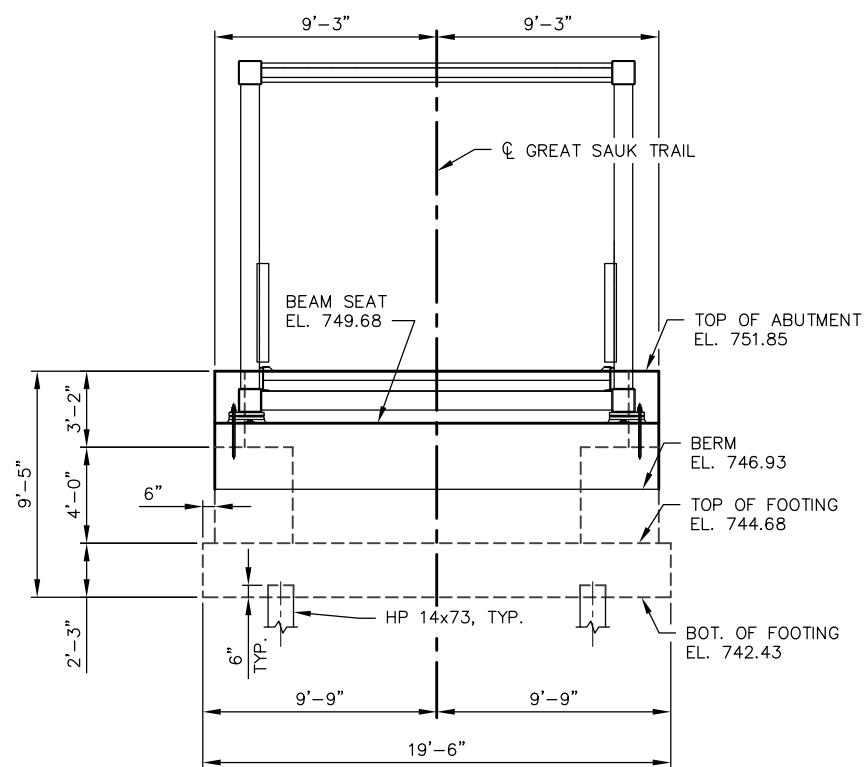
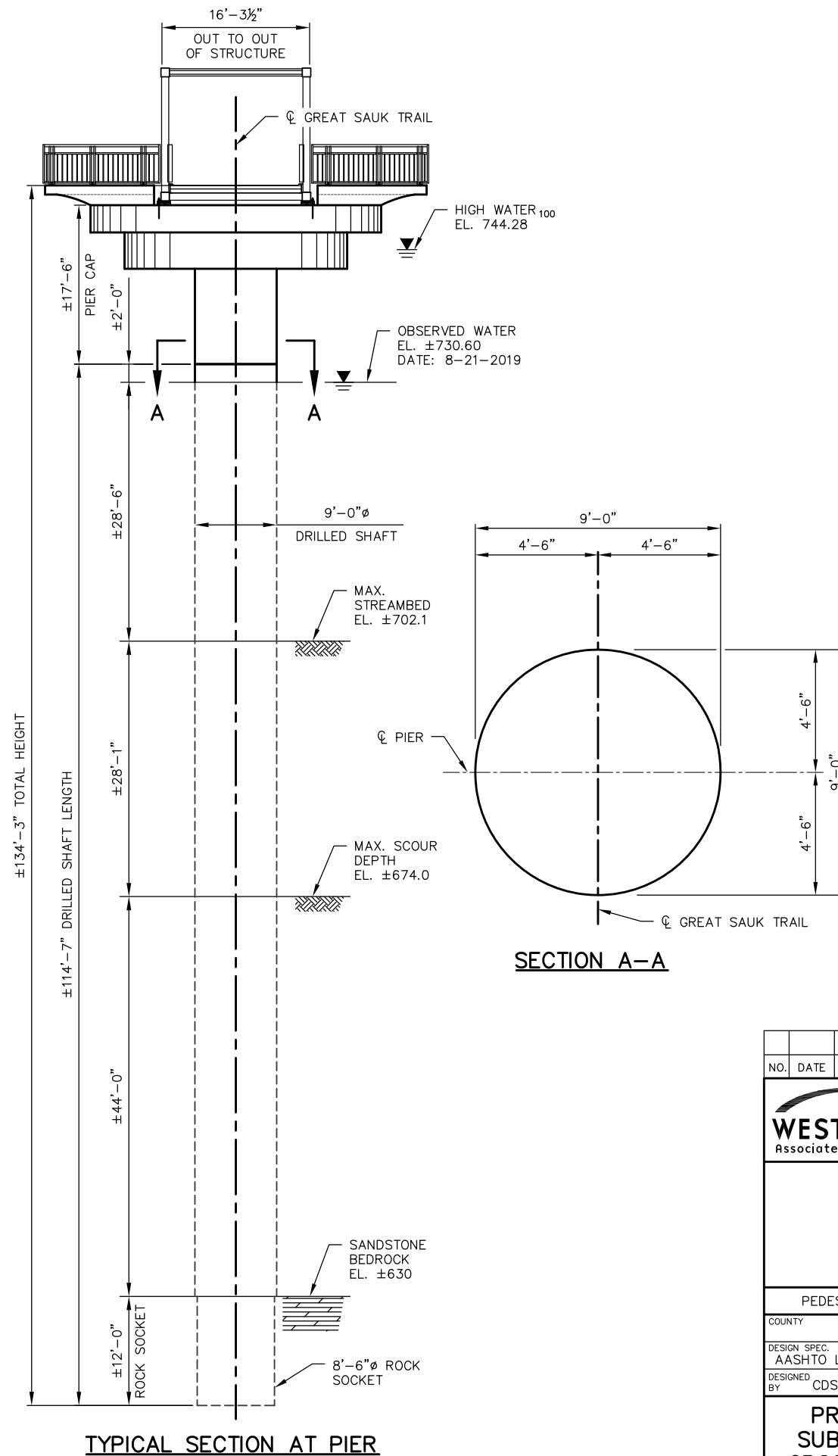


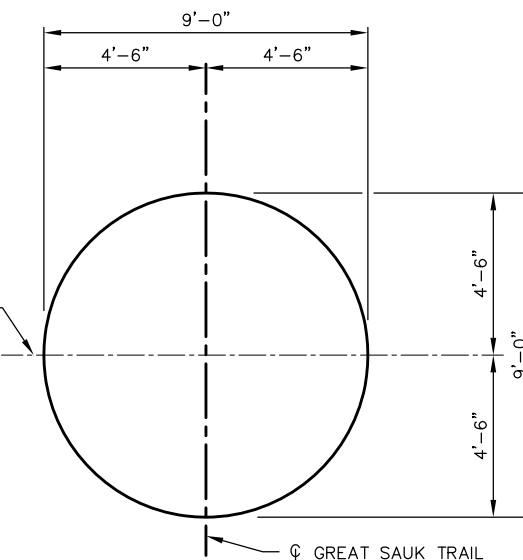
TYPICAL SECTION AT WEST ABUTMENT



TYPICAL SECTION AT EAST ABUTMENT



TYPICAL SECTION AT PIER



SECTION A-A

NO.	DATE	REVISION	BY
PEDESTRIAN BRIDGE			
PEDESTRIAN BRIDGE OVER WISCONSIN RIVER			
COUNTY	SAUK	TOWN/CITY/VILLAGE	PRAIRIE DU SAC
DESIGN SPEC.	AASHTO LRFD DESIGN SPEC.		
DESIGNED BY	CDS	DESIGN CK'D.	JDO
DRAWN BY	CDS	PLANS CK'D.	JJK
PRELIMINARY SUBSTRUCTURE CROSS SECTIONS			SHEET XX OF XX