

Technical Data Sheet for Size 075 split unit remote RCS

Job Information	Technical Data Sheet
-----------------	----------------------

Job Name	Reedsburg Medical replacement - Sauk P Health
Date	8/4/2022
Submitted By	Stu Grendahl
Software Version	08.20
Unit Tag	Size 075 split unit remote RCS



Unit Overview

Model Number	Voltage V/Hz/Phase	Design Cooling Capacity Btu/hr	AHRI 360 Standard Efficiency	ASHRAE 90.1
RCS075D	460/60/3	874948	11	No Compliance without Economizer

Unit

Model Number:	RCS075D
Altitude:	0 ft
Heat Type:	None
Condenser Type:	Air-Cooled
Approval	ETL/MEA-USA unit

Physical

Unit				
Length	Height	Width	Weight	Estimated Lifting Lugs
103 in	73.0 in	99.0 in	3421 lb	2 per side

Electrical

Voltage	MCA	MROPD	SCCR
460/60/3	133.0 A	150 A	10 kAIC

Note: Use only copper supply wires with ampacity based on 75° C conductor rating. Connections to terminals must be made with copper lugs and copper wire.

Unit Discharge Conditions

AirTemperature				
DX coil Configuration:	Moisture Removal lb/h	Unit Leaving Dry Bulb °F	Unit Leaving Wet Bulb °F	Unit Leaving Dewpoint °F
Draw-thru Coil	200.0	0.0	0.0	55.2
Motor Heat Btu/hr				
0				

Technical Data Sheet for Size 075 split unit remote RCS

Condensing Section

		Compressor		
Type	Quantity	Total Power	Capacity Control	Compressor Isolation
Scroll	6	74.6 kW	6 stage	Resilient
Compressor Amps:				
	Fixed Speed Compressor 1		18.6 A	
	Fixed Speed Compressor 2		18.6 A	
	Fixed Speed Compressor 3		18.6 A	
	Fixed Speed Compressor 4		18.6 A	
	Fixed Speed Compressor 5		18.6 A	
	Fixed Speed Compressor 6		18.6 A	
Compressor Options:		Refrigeration Service Valves		
Piping Options:		Hot gas bypass, circuit 1		

Condenser Coil			
Type	Fins per Inch	Fin Material	Refrigerant Charge
Aluminum tube MicroChannel	18	Aluminum	98.0 lb
Condenser Coil Options: Build in Hail Protection			

Condenser Fan Motors	
Number of Motors	Full Load Current (each)
8	2.1 A

AHRI 360 Certified Data at AHRI 360 Standard Conditions			
EER	IEER	ASHRAE 90.1	
11	0	No Compliance without Economizer	

Sound

Frequency	Sound Power (db)							
	63 Hz	125 Hz	250 Hz	500 Hz	1 kHz	2 kHz	4 kHz	8 kHz
Inlet	0	0	0	0	0	0	0	0
Discharge	0	0	0	0	0	0	0	0
Radiated	-	101	96	94	93	90	87	82

Options

Unit	
Unit Exterior:	Prepainted Galvanized Steel
Electrical	
Electrical Connection Option:	Single thru door disconnect switch
GFI 115v Receptacle:	Field powered
Controls	
Application:	Variable Volume - Discharge Air Control
Temperature Control:	DAC, No communication card
Low Ambient:	Fantrol, operation to 45 deg F (7.22 deg C)

Warranty

Parts:	Standard 1 year
Compressor:	Extended 4 year, 5 year total

AHRI Certification



All equipment is rated and certified in accordance with AHRI 360.

Technical Data Sheet for Size 075 split unit remote RCS

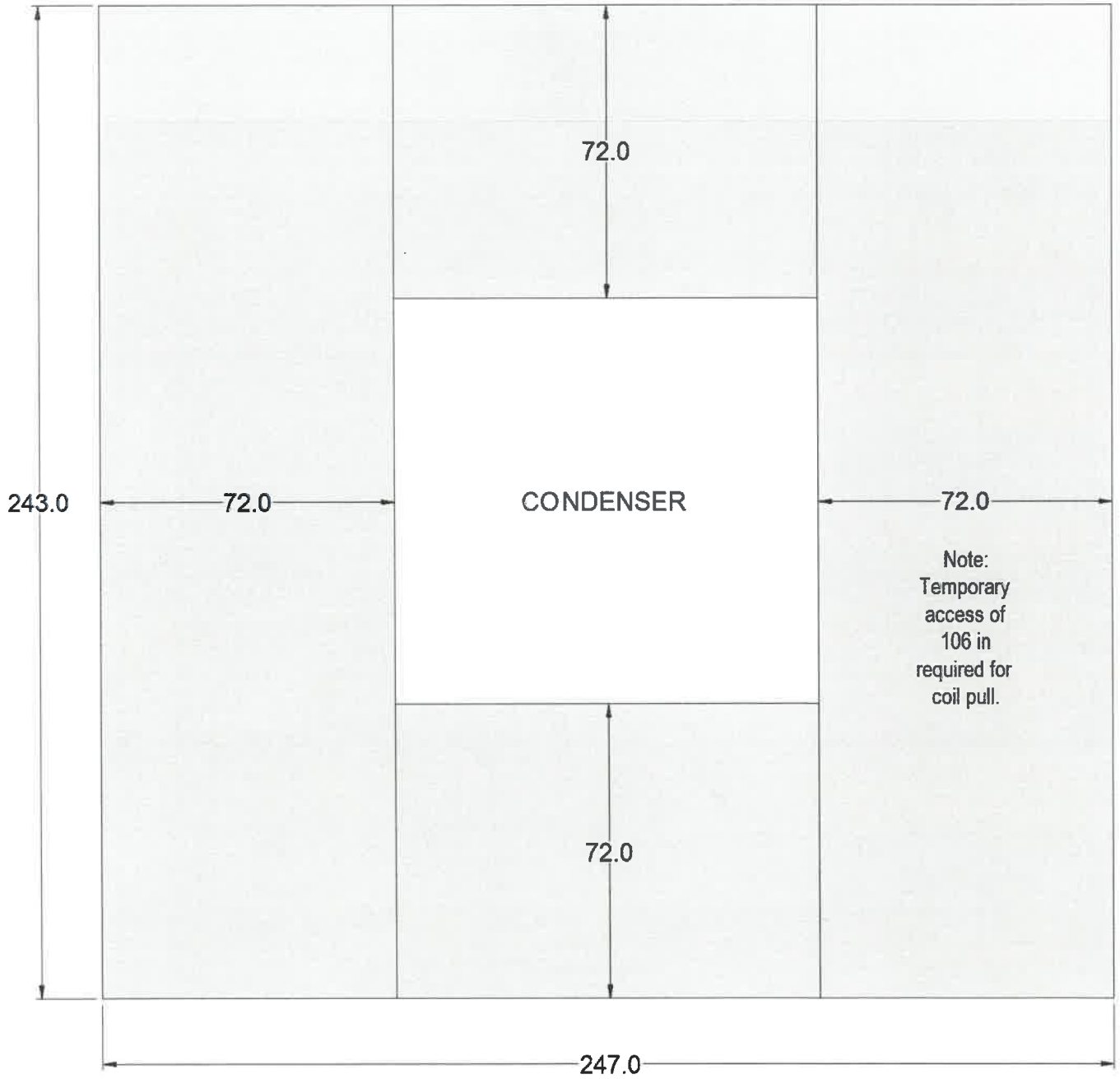
Notes

Unit capacity and EER are based on selection with matching RFS/RCS units

Accessories

	Optional	
Part Number		Description
403650976		Vibration Elimination Kits - RCS075D

Drawings(2) for Size 075 split unit remote RCS

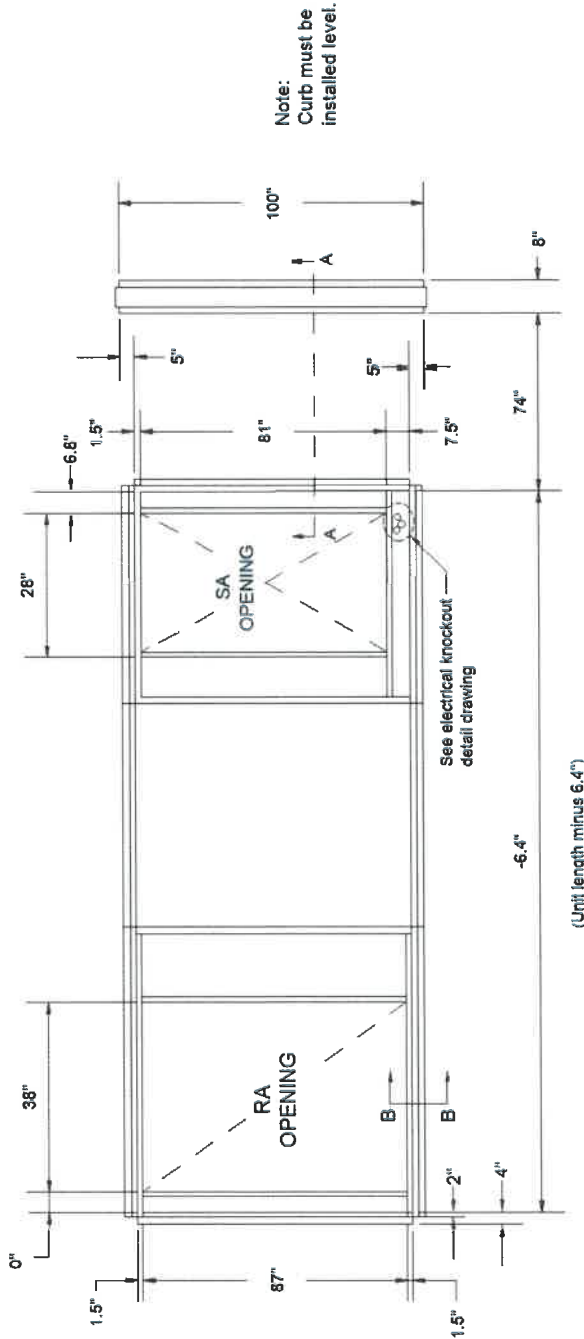


PLAN VIEW - SERVICE CLEARANCE

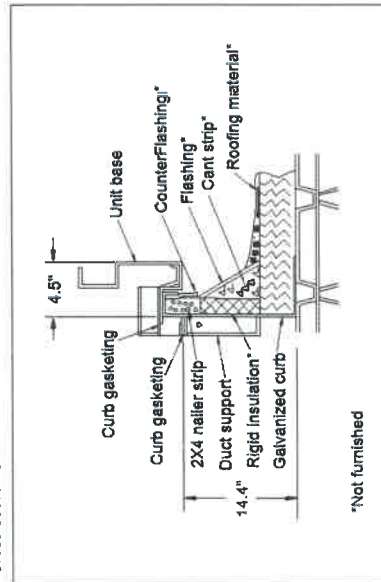
Product Drawing	Unit Tag: Size 075 split unit remote RCS			13600 Industrial Park Blvd. Minneapolis, MN 55441 www.DaikinApplied.com Software Version: 08.20
Product:	Project Name: Reedsburg Medical			
Model: RCS075D	Sales Office: Masters Building Solutions			Scale: NTS
Sales Engineer:	Aug. 04, 2022	Ver/Rev:	Sheet 1 of 1	Tolerance: +/-0.25" Dwg Units: in [mm]
No change to this drawing may be made unless approved in writing by Daikin Applied. Purchaser must determine that the equipment is fit and sufficient for the job specifications.				

Drawings(3) for Size 075 split unit remote RCS

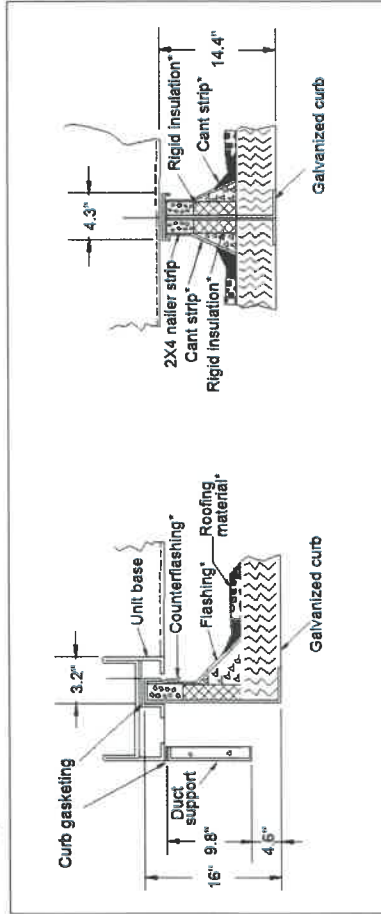
Curb Weight: 125.8 lbs.



Cross-section B-B



Cross-Section A-A



Product Drawing

Product:

Project Name: Reedsburg Medical

Model: RCS075D

Aug. 04, 2022 Ver/Rev:

Sheet: 1 of 1

Scale: NTS

Tolerance: +/- 0.25"

Dwg Units: in [mm]

Sales Office: Masters Building Solutions

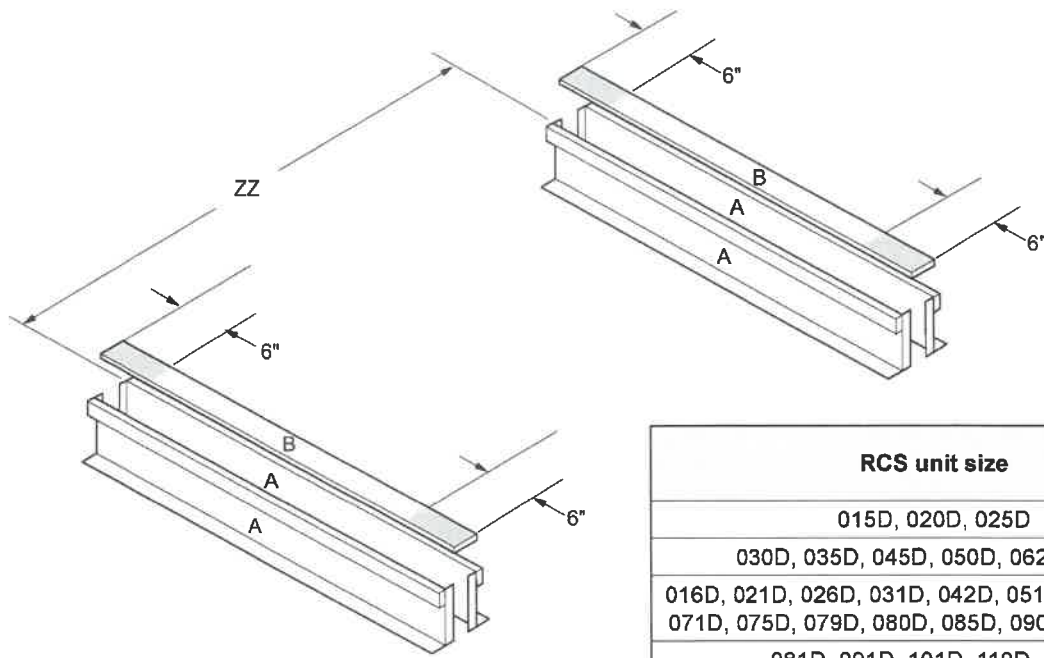
Sales Engineer:



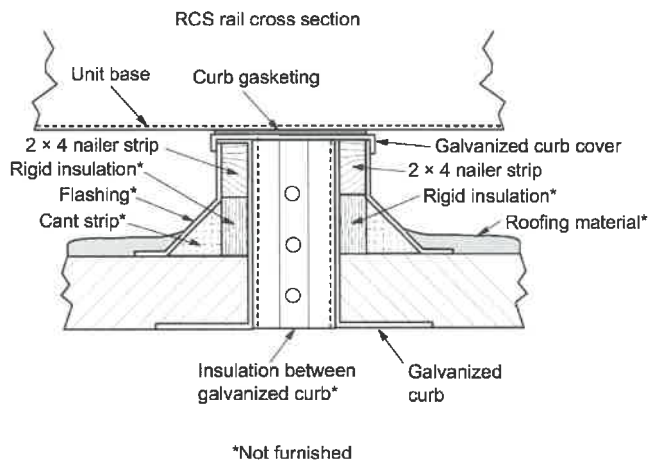
13600 Industrial Park Blvd. Minneapolis, MN 55441
www.DaikinApplied.com Software Version: 08.20


No change to this drawing may be made unless approved in writing by Daikin Applied. Purchaser must determine that the equipment is fit and sufficient for the job specifications.

RCS Roof Curb for Size 075 split unit remote RCS



RCS unit size	ZZ
	in.
015D, 020D, 025D	43.0
030D, 035D, 045D, 050D, 062D, 068D	60.0
016D, 021D, 026D, 031D, 042D, 051D, 063D, 070D, 071D, 075D, 079D, 080D, 085D, 090D, 100D, 105D	83.0
081D, 091D, 101D, 110D-140D	116.0



Product Drawing	Unit Tag: Size 075 split unit remote RCS			 13600 Industrial Park Blvd. Minneapolis, MN 55441 www.DaikinApplied.com Software Version: 08.20		
Product:	Project Name: Reedsburg Medical					
Model: RCS075D	Sales Office: Masters Building Solutions			Scale: NTS	Tolerance: +/-0.25"	Dwg Units: in [mm]
Sales Engineer:	Aug. 04, 2022	Ver/Rev:	Sheet 1 of 1	No change to this drawing may be made unless approved in writing by Daikin Applied. Purchaser must determine that the equipment is fit and sufficient for the job specifications.		

Document Summary Page